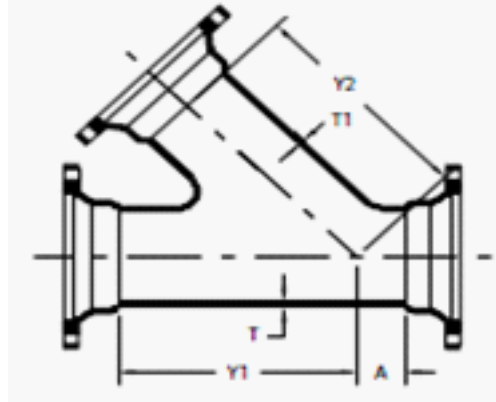




TERMINAL CITY IRON WORKS LTD.

FULL BODY MECHANICAL JOINT FITTINGS | ANSI/AWWA C110/ A21.10



SIZE	MJDL					
	T	T1	A	Y1	Y2	Wt.
6x4	0.55	0.52	3.50	14.50	14.50	128
6x6	0.55	0.55	3.50	14.50	14.50	175
8x8	0.60	0.60	4.50	17.50	17.50	219
10x10	0.68	0.68	5.00	20.50	20.50	325