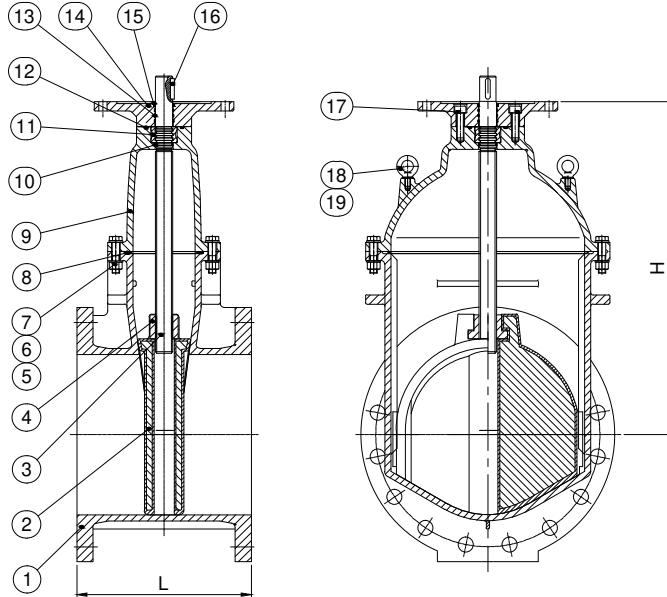




# Terminal City Iron Works Ltd.



### Dimensions

| Size | L   | H      |
|------|-----|--------|
| 14"  | 15" | 28.62" |
| 16"  | 16" | 31.18" |
| 18"  | 17" | 35.71" |
| 20"  | 18" | 39.06" |
| 24"  | 20" | 44.17" |

### Material Specifications

| Item | Description       | Material                       | ASTM Spec.    |
|------|-------------------|--------------------------------|---------------|
| 1    | Body              | Ductile Iron                   | A536 65-45-12 |
| 2    | Wedge             | EPDM Encapsulated Ductile Iron | A536 65-45-12 |
| 3    | Stem              | Stainless Steel                | A276 Type 304 |
| 4    | Wedge Nut         | Bronze                         | B148 C95200   |
| 5    | Hexagon Head Bolt | Stainless Steel                | A276 Type 304 |
| 6    | Washer            | Stainless Steel                | A276 Type 304 |
| 7    | Hexagon Nut       | Stainless Steel                | A276 Type 316 |
| 8    | Gasket            | Rubber                         | D2000 EPDM    |
| 9    | Bonnet            | Ductile Iron                   | A536 65-45-12 |
| 10   | O-ring            | Rubber                         | D2000, NBR    |
| 11   | Thrust Collar     | Bronze                         | B148 C95200   |
| 12   | O-ring            | Rubber                         | D2000, NBR    |
| 13   | O-ring            | Rubber                         | D2000, NBR    |
| 14   | Indicator Plate   | Ductile Iron                   | A536 65-45-12 |
| 15   | Dustproof Ring    | Rubber                         | D2000, NBR    |
| 16   | Key               | Stainless Steel                | A276 Type 304 |
| 17   | Screw             | Stainless Steel                | A276 Type 304 |
| 18   | Washer            | Stainless Steel                | A276 Type 304 |
| 19   | Eyebolt           | Stainless Steel                | A276 Type 304 |



Terminal City Iron Works Ltd.

AWWA C515



Assembly Drawing NRS Gate Valve(14" -24")

SIZE DRG NO.

4500 series FL x FL With Indicator Plate

REV

SCALE :

FUSION BONDED EPOXY-NSF 61-AWWA C550